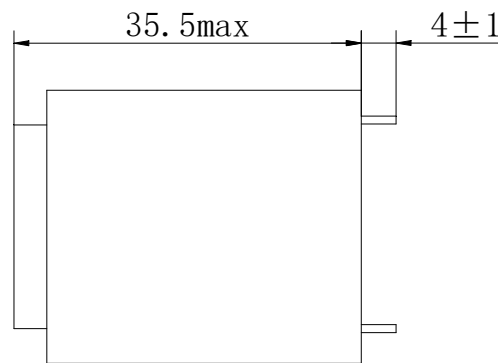
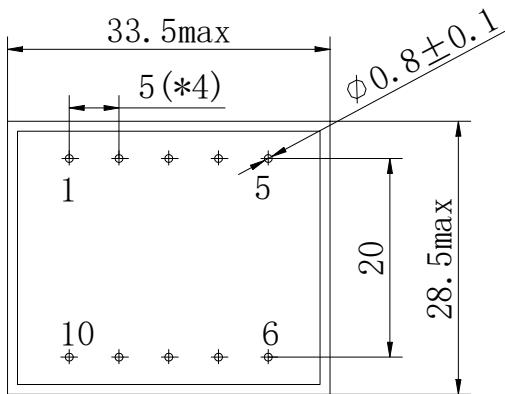


EI30-23 3.2VA Encapsulated Transformer

FEATURES

- CQC file No.: CQC17001167224
- CE file No: BSTXD190311209301EC/BSTXD190311209301SC
- Vacuum Filling, Encapsulated Design Prevent dust and humidity
- High efficiency, Low Temperature Rise
- Dielectric Strength 4000VAC
- Class B (130° C) insulation material.
- Operating temperature from -40° C to 70° C
- Design according to EN61558-1, EN61000,GB19212-1, GB19212-7
- 100% Production Tested

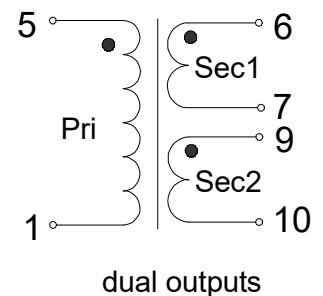
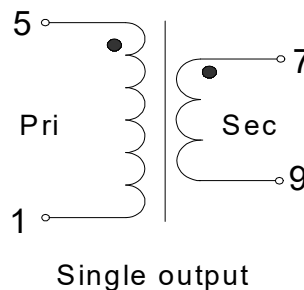
OUTLINE DIMENSIONS



COMMON APPLICATIONS

- Medical equipment
- Industrial equipment
- Industrial control
- Test equipment
- Industrial computer
- Avionics and Telecommunications

SCHEMATIC DIAGRAM



PART NO	Primary [V]	Secondary [V]	Current [mA]	Ambient TEMP.(°C)	Weight (g)	Certificate			
						VDE	UL	CQC	CE
XP301-892	115V 50/60Hz	4.5V	711mA	T40 B	139		•		•
XP301-893	115V 50/60Hz	6V	533mA	T40 B	139		•		•
XP301-894	115V 50/60Hz	7.5V	427mA	T40 B	139		•		•
XP301-895	115V 50/60Hz	9V	356mA	T40 B	139		•		•
XP301-896	115V 50/60Hz	12V	267mA	T40 B	139		•		•
XP301-897	115V 50/60Hz	15V	213mA	T40 B	139		•		•
XP301-898	115V 50/60Hz	18V	178mA	T40 B	139		•		•
XP301-899	115V 50/60Hz	24V	133mA	T40 B	139		•		•
XP302-908	115V 50/60Hz	2x4.5V	2x356mA	T40 B	139		•		•
XP302-909	115V 50/60Hz	2x6V	2x267mA	T40 B	139		•		•
XP302-910	115V 50/60Hz	2x7.5V	2x213mA	T40 B	139		•		•
XP302-911	115V 50/60Hz	2x9V	2x178mA	T40 B	139		•		•
XP302-912	115V 50/60Hz	2x12V	2x133mA	T40 B	139		•		•
XP302-913	115V 50/60Hz	2x15V	2x107mA	T40 B	139		•		•
XP302-914	115V 50/60Hz	2x18V	2x89mA	T40 B	139		•		•
XP302-915	115V 50/60Hz	2x24V	2x67mA	T40 B	139		•		•
XP301-792	230V 50/60Hz	4.5V	711mA	T40 B	139		•	•	•
XP301-793	230V 50/60Hz	6V	533mA	T40 B	139		•	•	•
XP301-794	230V 50/60Hz	7.5V	427mA	T40 B	139		•	•	•
XP301-795	230V 50/60Hz	9V	356mA	T40 B	139		•	•	•
XP301-796	230V 50/60Hz	12V	267mA	T40 B	139		•	•	•
XP301-797	230V 50/60Hz	15V	213mA	T40 B	139		•	•	•
XP301-798	230V 50/60Hz	18V	178mA	T40 B	139		•	•	•
XP301-799	230V 50/60Hz	24V	133mA	T40 B	139		•	•	•
XP302-900	230V 50/60Hz	2x4.5V	2x356mA	T40 B	139		•	•	•
XP302-901	230V 50/60Hz	2x6V	2x267mA	T40 B	139		•	•	•
XP302-902	230V 50/60Hz	2x7.5V	2x213mA	T40 B	139		•	•	•
XP302-903	230V 50/60Hz	2x9V	2x178mA	T40 B	139		•	•	•
XP302-904	230V 50/60Hz	2x12V	2x133mA	T40 B	139		•	•	•
XP302-905	230V 50/60Hz	2x15V	2x107mA	T40 B	139		•	•	•
XP302-906	230V 50/60Hz	2x18V	2x89mA	T40 B	139		•	•	•
XP302-907	230V 50/60Hz	2x24V	2x67mA	T40 B	139		•	•	•